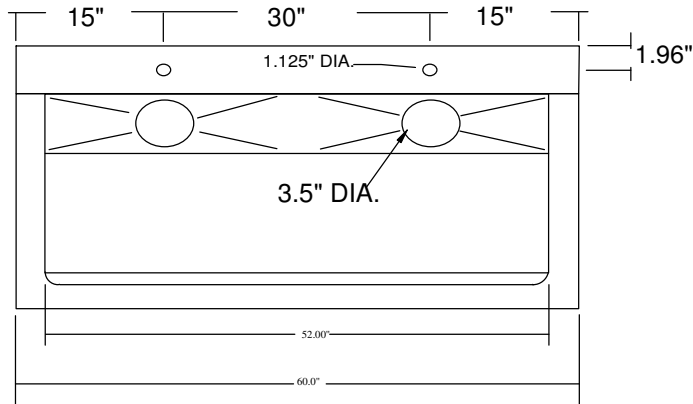
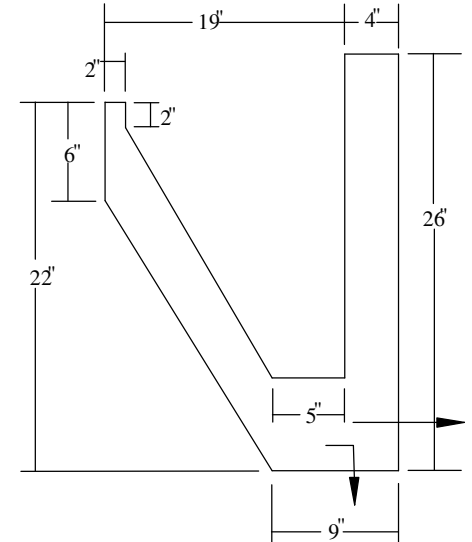


TOP VIEW

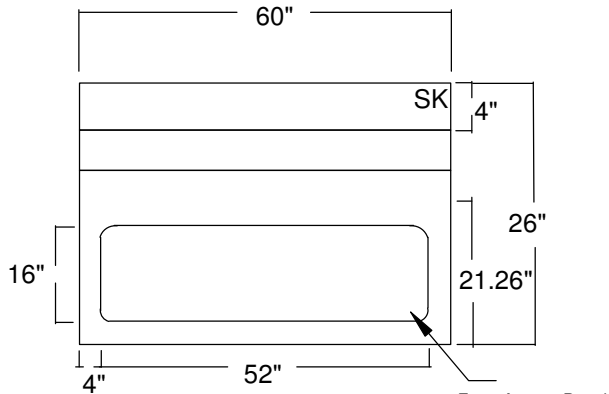


SIDE VIEW

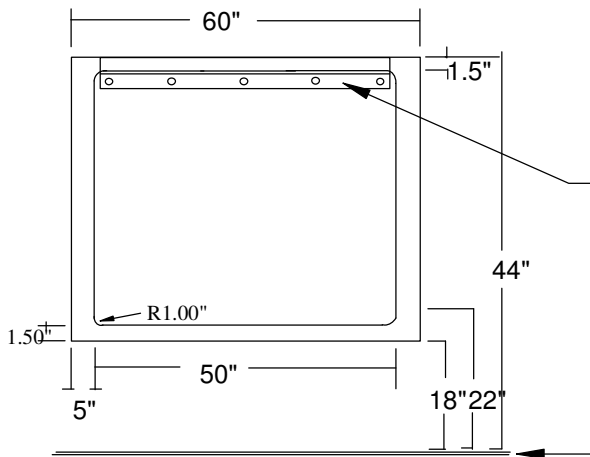


Plumbing can run bottom or back cutout

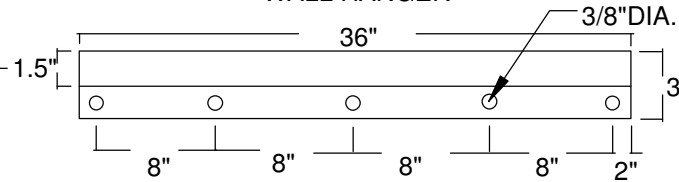
FRONT VIEW



BACK VIEW



WALL HANGER



Approval \_\_\_\_\_

Date \_\_\_\_\_



**PROPRIETARY**  
THIS DOCUMENT AND THE DATA DISCLOSED  
HEREIN OR HERewith IS NOT TO BE  
REPRODUCED, USED OR OTHERWISE DISCLOSED  
IN WHOLE OR IN PART TO ANYONE WITHOUT  
THE WRITTEN AUTHORIZATION FROM  
G2 AUTOMATED TECHNOLOGIES, LLC

A4

<b>Approvals</b>		<b>Date</b>		GAT-SURGI-KLEEN-2000-WM
Drawn By J. Lamb		3/13/12		
Approved By N/A				
TITLE Double Bay Scrub Sink Wall Mounted			Material: SS 304 #3 16 Ga.	
SIZE N/A	CAGE CODE	DWG NO GAT-SURGI-KLEEN-Overall	REV	
SCALE Not To Scale				SHEET