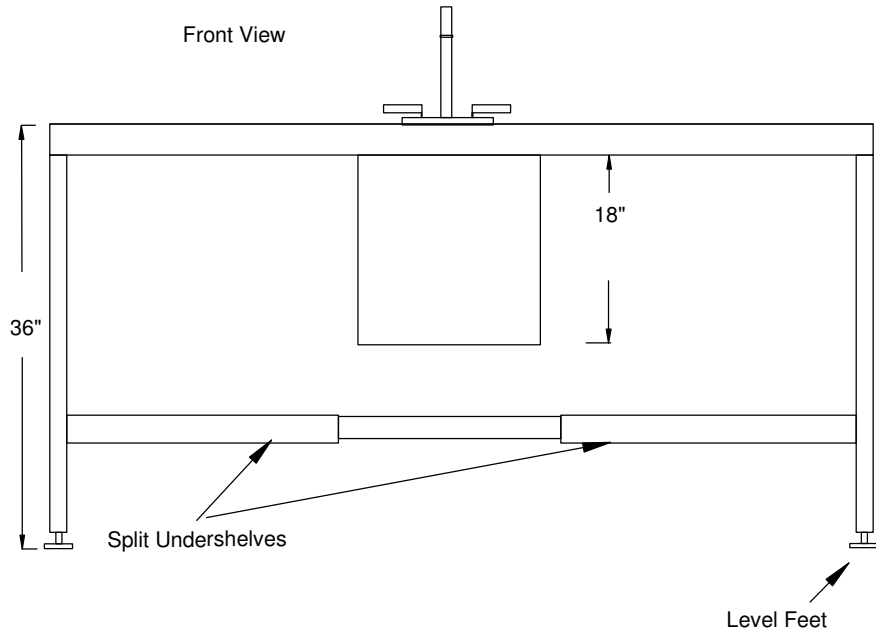
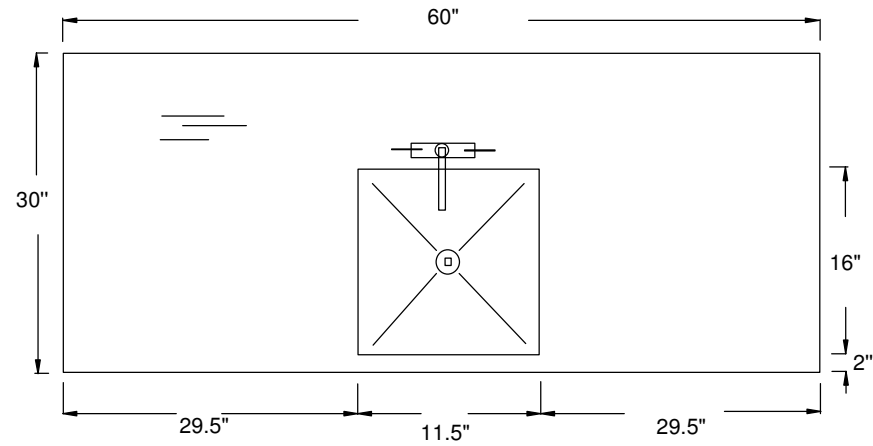


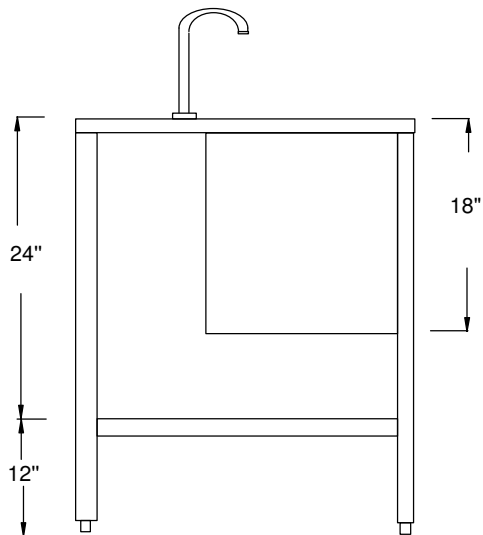
Front View



Top View



Left Side View



Approval _____

Date _____



PROPRIETARY
 THIS DOCUMENT AND THE DATA DISCLOSED
 HEREIN OR HERewith IS NOT TO BE
 REPRODUCED, USED OR OTHERWISE DISCLOSED
 IN WHOLE OR IN PART TO ANYONE WITHOUT
 THE WRITTEN AUTHORIZATION FROM
 G2 AUTOMATED TECHNOLOGIES, LLC

A4

Approvals		Date		
Drawn By J. Lamb		6/22/11	GAT-TBL-SNK-306034-1-BS-SS-ST	
Approved By N/A				
TITLE 30"Dx60"Wx34"H Table 16"x11.5"x18"D Sink Undershelf SS Level Feet Gooseneck Faucet			Material: SS 304 #3 16 Ga.	
SIZE N/A	CAGE CODE	DWG NO	REV	
SCALE Not To Scale				SHEET