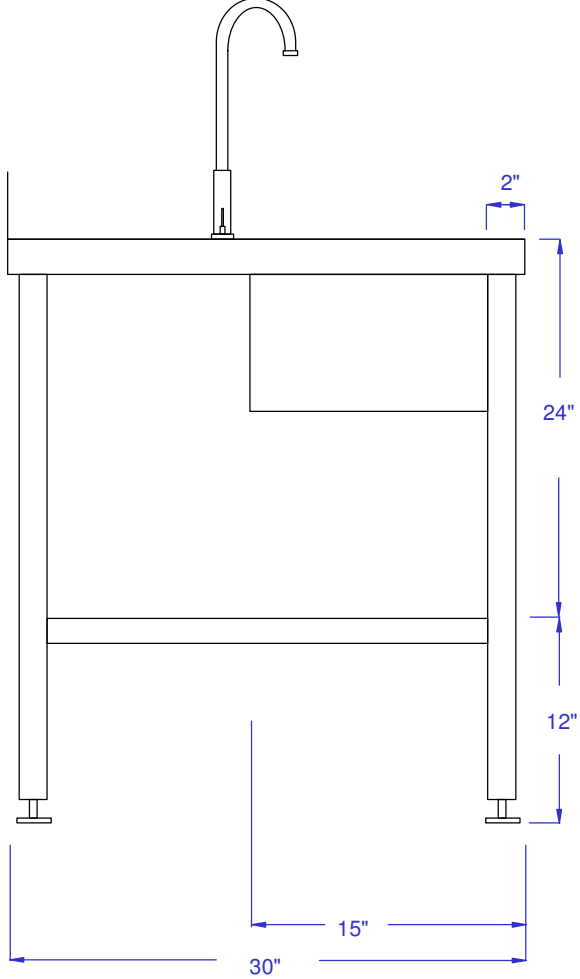
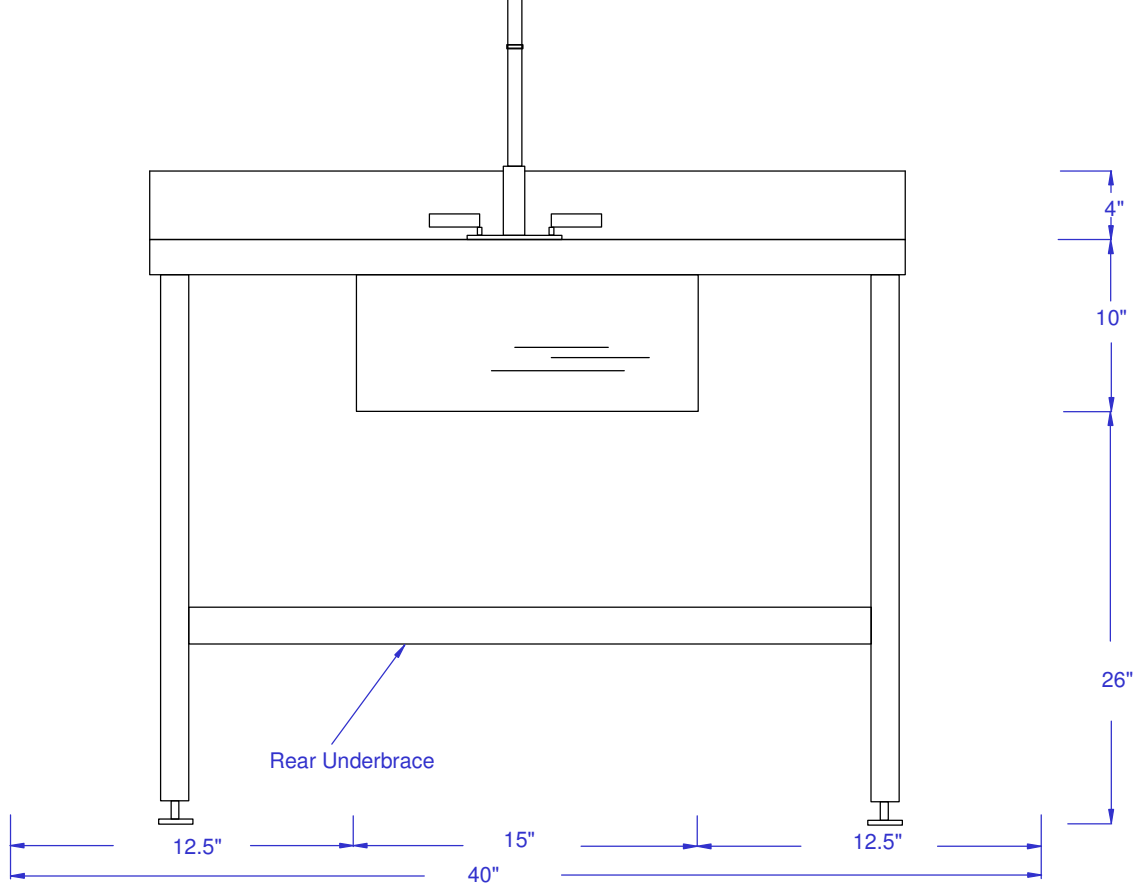



SIDE VIEW



FRONT VIEW



Approval _____
Date _____

	Approvals Drawn By J. Lamb Approved By	Date 4/20/11	GAT-TBL-SNK-304036-1-BS-SS-ST	
	TITLE 30"Dx40"Wx36"H SS Lab Sink Tbl. 15"Wx15"Dx10"H Sink Faucet & Drain		Material: SS 304 #3	
PROPRIETARY <small>THIS DOCUMENT AND THE DATA DISCLOSED HEREIN OR HERewith IS NOT TO BE REPRODUCED, USED OR OTHERWISE DISCLOSED IN WHOLE OR IN PART TO ANYONE WITHOUT THE WRITTEN AUTHORIZATION FROM G2 AUTOMATED TECHNOLOGIES, LLC</small>		SIZE N/A	CAGE CODE	DWG NO
A4		SCALE	REV	SHEET

