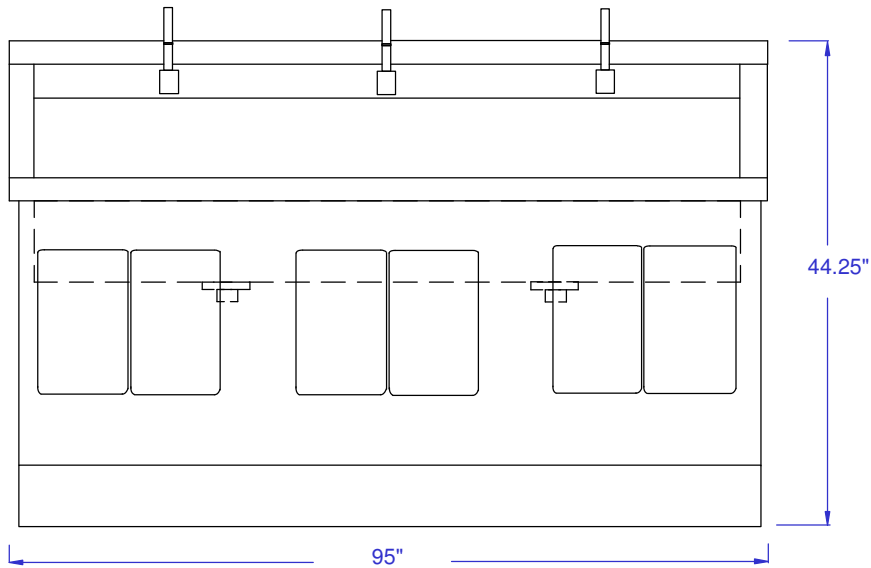
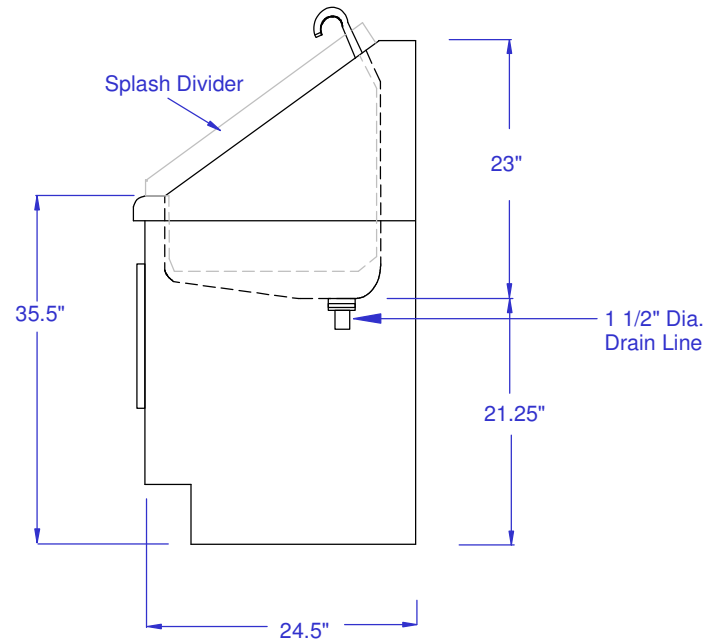




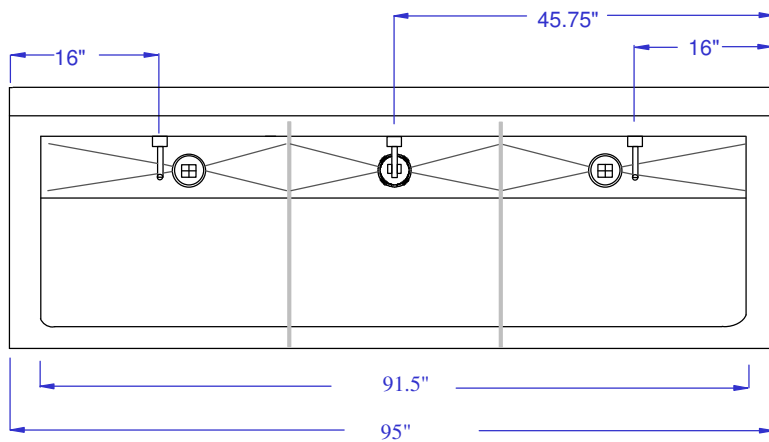
FRONT VIEW



SIDE VIEW



TOP VIEW



Approval _____

Date _____



PROPRIETARY
THIS DOCUMENT AND THE DATA DISCLOSED
HEREIN OR HEREWITH IS NOT TO BE
REPRODUCED, USED OR OTHERWISE DISCLOSED
IN WHOLE OR IN PART TO ANYONE WITHOUT
THE WRITTEN AUTHORIZATION FROM
G2 AUTOMATED TECHNOLOGIES, LLC

A4

Approvals		Date	
Drawn By J. Lamb		2/16/11	
Approved By N/A		SURGI-KLEEN-3000-FM	
TITLE Floor Mounted Triple Scrub Sink w/ Goosenecks		Material: SS 304 #3	
SIZE N/A	CAGE CODE	DWG NO SK-3000-FM-Overall	REV
SCALE		SHEET	

