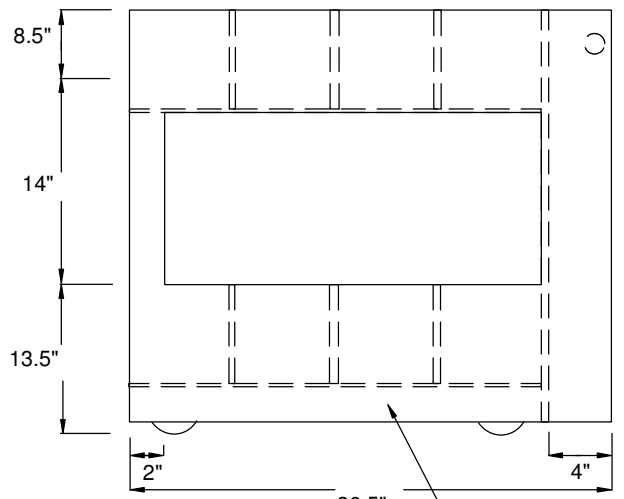
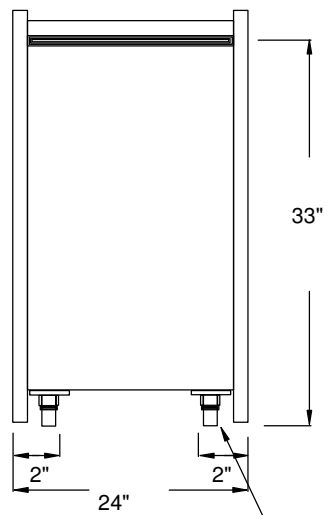




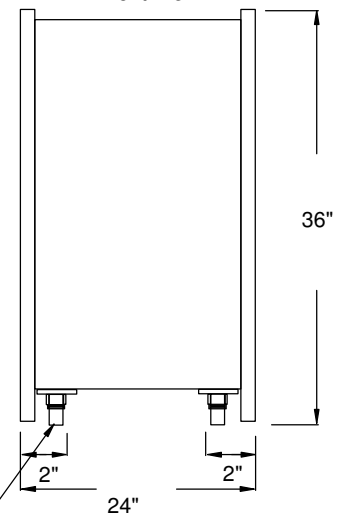
Left Side View



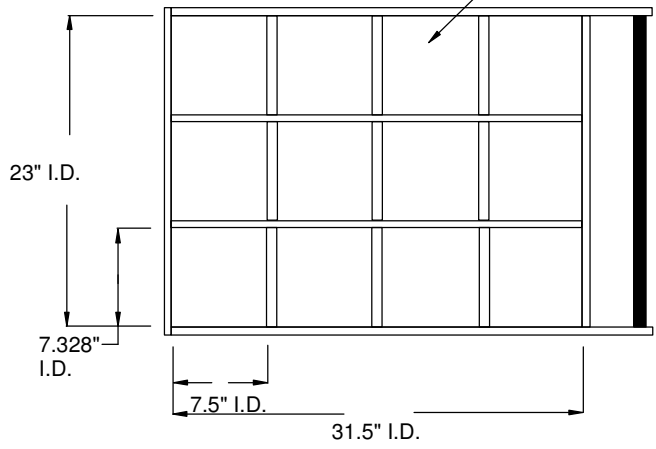
Back View



Front View



Top View




Lower Grid is identical to Top Grid

5" OA. Swivel Locking Casters Front and Back

Approval _____

Date _____

	Approvals Drawn By J. Lamb Approved By N/A		Date 		GAT-CHEM-CRT-24GLN-SA-PP	
	TITLE 24"Wx36.5"Dx36"H Chemical Cart w/ Side Access to Storage Swivel Locking Casters			Material: 1/2" White PolyPro		
SIZE N/A		CAGE CODE 		DWG NO 		REV
SCALE N.T.S.			SHEET			

PROPRIETARY
 THIS DOCUMENT AND THE DATA DISCLOSED
 HEREIN OR HERewith IS NOT TO BE
 REPRODUCED, USED OR OTHERWISE DISCLOSED
 IN WHOLE OR IN PART TO ANYONE WITHOUT
 THE WRITTEN AUTHORIZATION FROM
 G2 AUTOMATED TECHNOLOGIES, LLC

A4

